



G REX

AUSTRALIA'S FIRST MECHANICAL G.E.T. CHANGER



NEVER USE A HAMMER AGAIN

The G REX is capable of handling all types and brands of G.E.T on any type of bucket.

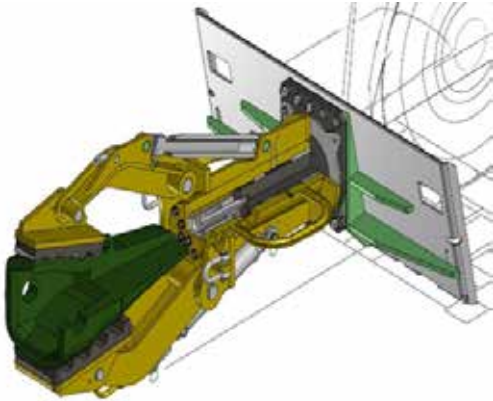
- ESCO
- BRADKEN
- SANDVIK
- MTG

- LOADER
- SHOVEL
- EXCAVATOR
- DOZER

The G.E.T. Tool utilises the existing control functions of the Skid Steer Loader to:

- Open and close the jaws
- To crowd the tool up or down
- To extend and retract the Tool
- Can be fitted to any skid steer loader or pozzi track





- **MAXIMUM PRESSURE AT JAWS** 3,625.94 psi
- **MAXIMUM WEIGHT OF TOOL** 950kg
- **MAXIMUM LENGTH OF TOOL** 1.8M
- **MAXIMUM OPENING WIDTH** 640mm
- **MAXIMUM HEIGHT** 70mm
- **MAXIMUM WIDTH BACKING PLATE** 1600mm
- **MAXIMUM LIFT** 500kg
- **MAXIMUM LIFT HEIGHT** 3 m
- **FULL SPARES KIT OF QUICK RELEASE HOSES & FITTINGS ON A ROTATIONAL BASIS NEW FOR OLD**
- **BOLT ON BOLT OFF GRIP PADS FOR JAWS**

ADDITIONAL SAFETY FEATURES



- **ADDITIONAL LIGHTING ON THE CAB FOR CLARITY OF FORWARD MOVEMENT AT NIGHT**
- **REVERSING CAMERA PERMANENTLY ON**
- **5" IN CAB SCREEN**
- **ABILITY OF TOOL TO EXTEND AND RETRACT and ROCK LEFT and RIGHT TO RATTLE FREE GET**
- **OVERCENTRE VALVES TO MAINTAIN CONSTANT GRIP PRESSURE ON GET**

***G.E.T. A GRIP AND LOOSEN A TOOTH OR TWO WITHOUT PHYSICAL AGRO
NO SLINGING, NO CRANE JIB, NO MANUAL HANDLING, LESS PHYSICAL EXERTION***

P +61 (08) 9359 1800

F +61 (08) 9359 1655

E support@austineng.com.au

W www.austineng.com.au

A 2 Draper Pl, Kewdale WA 6105

